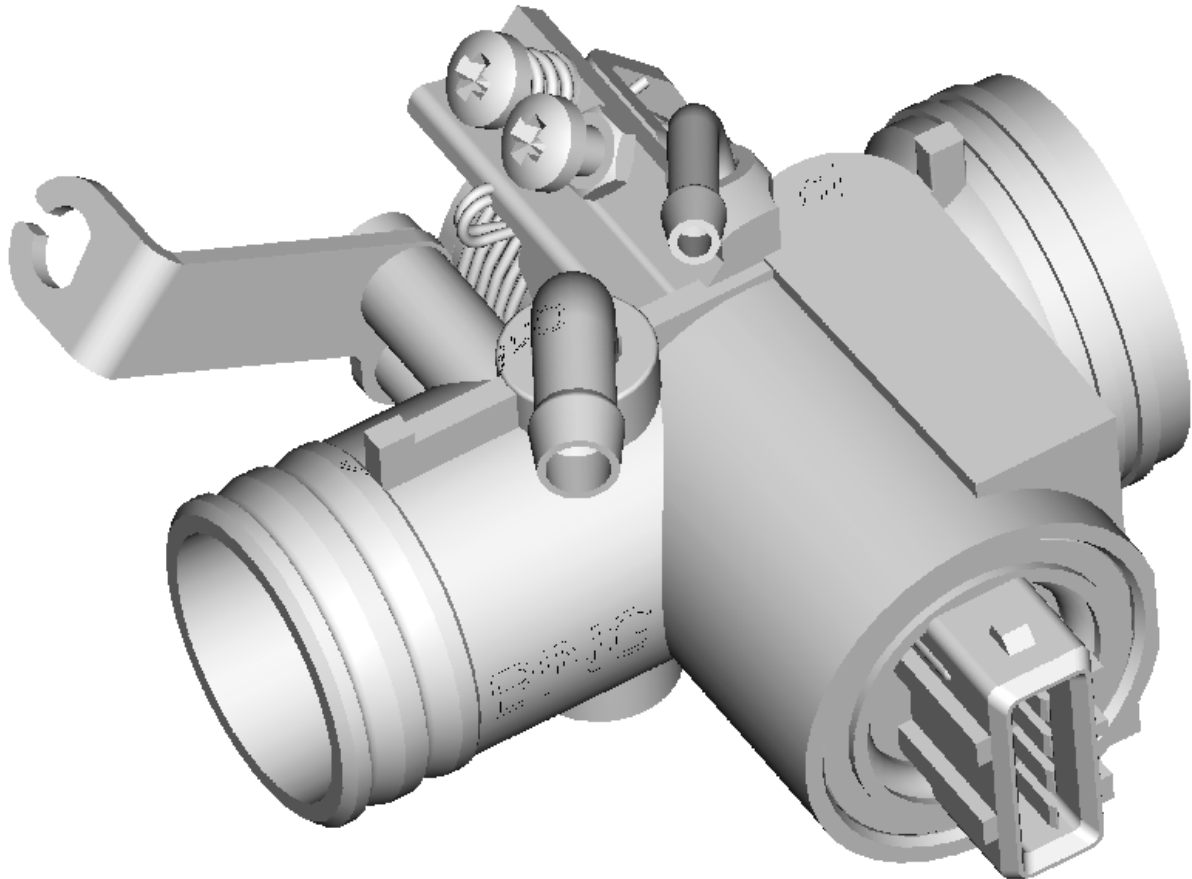


Throttle body type 72



Throttle valve diameter: 26 and 29 mm

Engine flange diameter: 35 mm

Filter flange diameter: 41 mm

Overall length: 95 mm

**Connections available for idle speed control
and canister vapor purge**